

Datasheet

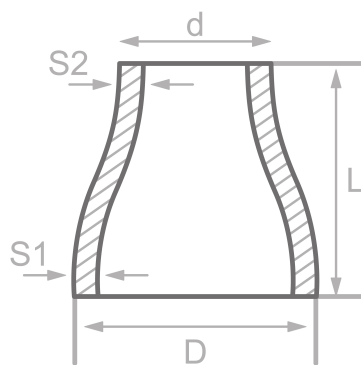
Description

Conc. red., DIN2616/EN10253-1
ST37.0, certificate 3.1

Main data

60.30 x 2.90 / 33.70 x 2.60 mm

| | |
|----|----------|
| D | 60.30 mm |
| S1 | 2.90 mm |
| d | 33.70 mm |
| S2 | 2.60 mm |
| L | 76.00 mm |



Chemical analysis (heat) in % of mass

(one content=max. value)

Short name: ST37.0

Mat. grade: 1.0254

| C | Si | Mn | P | S | Cr | Cu | Mo | Nb | Ni | Ti | V | Others |
|------|------|------|-------|-------|------|------|------|------|------|------|------|--------|
| 0.16 | 0.35 | 1.20 | 0.025 | 0.020 | 0.30 | 0.30 | 0.08 | 0.01 | 0.30 | 0.04 | 0.02 | |

Mechanical properties

Short name: ST37.0

Mat. grade: 1.0254

| Upper yield strength reH or Rp0.2 min for wallthicknesses T in mm, N/mm2 at room temperature | | Tensile strength Rm for wallthickn. T in mm, N/mm2 at room temperature | | Elongation A at room- temperature, min.% | | Min. impact energy KV in J | |
|---|----------|---|----------|---|---------|-------------------------------|---------|
| T<=16 | 16<T<=60 | T<=16 | 16<T<=60 | Longit. | Transv. | Longit. | Transv. |
| 235 | 225 | 350-480 | 350-480 | 25 | 23 | | |

Sources: EN 10253, DIN 17175, DIN 2528, DIN 1629, Stahlschlüssel, ASTM

