

Datasheet

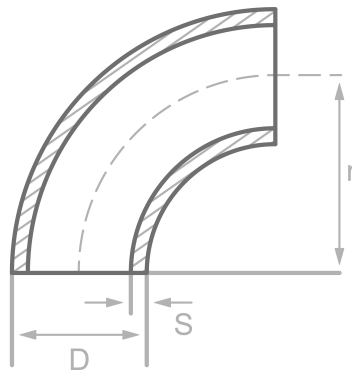
Description

Elbows, DIN2605/EN10253-2-A-3D-90°
16Mo3, certificate 3.1

Main data

Type 3/LR , 139.70 x 16.00 mm

| | |
|---|-----------|
| D | 139.70 mm |
| S | 16.00 mm |
| r | 190.00 mm |



Chemical analysis (heat) in % of mass

(one content=max. value)

Short name: 16Mo3

Mat. grade: 1.5415

| C | Si | Mn | P | S | Cr | Cu | Mo | Nb | Ni | Ti | V | Others |
|------|------|------|-------|-------|------|------|------|----|------|----|---|--------|
| 0.20 | 0.35 | 0.90 | 0.025 | 0.020 | 0.30 | 0.30 | 0.35 | | 0.30 | | | Al |

Mechanical properties

Short name: 16Mo3

Mat. grade: 1.5415

| Upper yield strength reH or Rp0.2 min for wallthicknesses T in mm, N/mm2 at room temperature | | Tensile strength Rm for wallthickn. T in mm, N/mm2 at room temperature | | Elongation A at room- temperature, min.% | | Min. impact energy KV in J | |
|---|----------|---|----------|---|---------|-------------------------------|---------|
| T<=16 | 16<T<=60 | T<=16 | 16<T<=60 | Longit. | Transv. | Longit. | Transv. |
| 280 | 270 | 450-600 | 450-600 | 22 | 20 | | |

Sources: EN 10253, DIN 17175, DIN 2528, DIN 1629, Stahlschlüssel, ASTM

