

# Datasheet

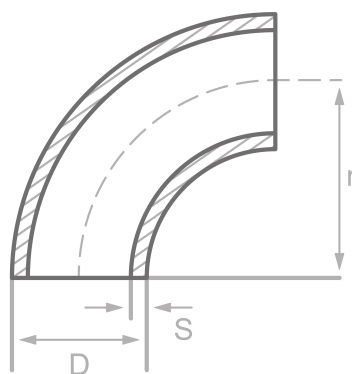
## Description

Elbows, DIN2605/EN10253-1-3D  
90°, P235TR2, cert. 2.2

## Main data

Type 3/LR, 76.10 x 2.90 mm

D	76.10 mm
S	2.90 mm
r	95.00 mm



## Chemical analysis (heat) in % of mass

(one content=max. value)

Short name: P235TR2

Mat. grade: 1.0254

C	Si	Mn	P	S	Cr	Cu	Mo	Nb	Ni	Ti	V	Others
0.16	0.35	1.20	0.025	0.020	0.30	0.30	0.08	0.01	0.30	0.04	0.02	

## Mechanical properties

Short name: P235TR2

Mat. grade: 1.0254

Upper yield strength reH or Rp0.2 min for wallthicknesses T in mm, N/mm2 at room temperature		Tensile strength Rm for wallthickn. T in mm, N/mm2 at room temperature		Elongation A at room- temperature, min.%		Min. impact energy KV in J	
T<=16	16<T<=60	T<=16	16<T<=60	Longit.	Transv.	Longit.	Transv.
235	225	350-480	350-480	25	23		

Sources: EN 10253, DIN 17175, DIN 2528, DIN 1629, Stahlschlüssel, ASTM