

Datasheet

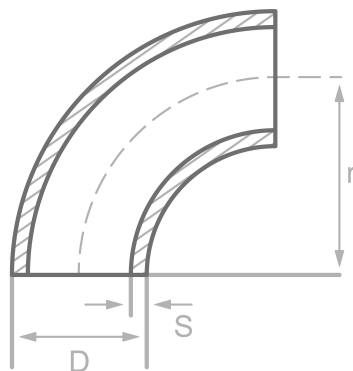
Description

Elbows, ANSI/ASME B16.9, LR, 90°
ASTM A234 WPB, certificate 3.1

Main data

Type 3/LR, 20" std

D	508.00 mm
S	9.53 mm
r	762.00 mm



Chemical analysis (heat) in % of mass

(one content=max. value)

Short name: WPB

Mat. grade: ----

C	Si	Mn	P	S	Cr	Cu	Mo	Nb	Ni	Ti	V	Others
0.30	0.10	1.06	0.048	0.058	0.40	0.40	0.15		0.40		0.08	

Mechanical properties

Short name: WPB

Mat. grade: ----

Upper yield strength reH or Rp0.2 min for wallthicknesses T in mm, N/mm2 at room temperature		Tensile strength Rm for wallthickn. T in mm, N/mm2 at room temperature		Elongation A at room- temperature, min.%		Min. impact energy KV in J	
T<=16	16<T<=60	T<=16	16<T<=60	Longit.	Transv.	Longit.	Transv.
240	240	min. 415	min. 415	30	17		

Sources: EN 10253, DIN 17175, DIN 2528, DIN 1629, Stahlschlüssel, ASTM